

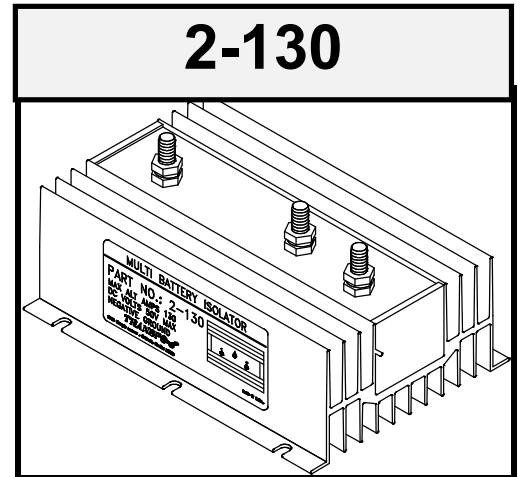
# BATTERY ISOLATOR

The 2-130 is a battery isolator which functions in multi-battery bank systems, utilizing the same nominal voltage, with two batteries and having one alternator to provide the DC power. The battery isolator prevents the drain of the high charged battery by the low charged battery.

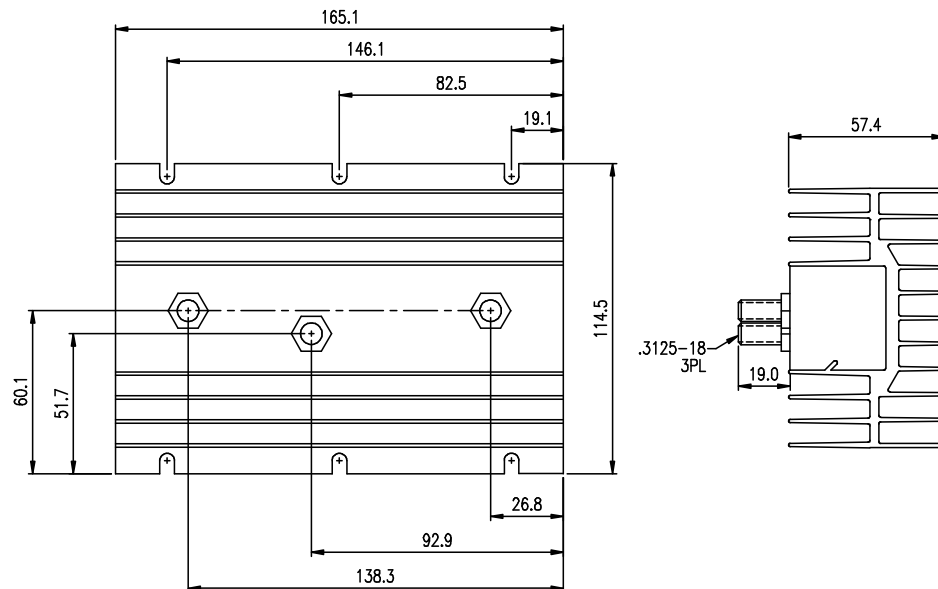
Applications are: GM (except CS), Ford, Chrysler, Jeeps (with Nippondenso, externally regulated), Japanese (with external regulators), Motorola (Load handler series), Bosch, RV, Marine, other.

## KEY FEATURES

- 4-200 Volt DC Rating Solid State.
- High amperage pressfit diodes.
- Maximum alternator ampere 130Amps.
- Two batteries & one alternator systems.
- 5/16" terminal studs.

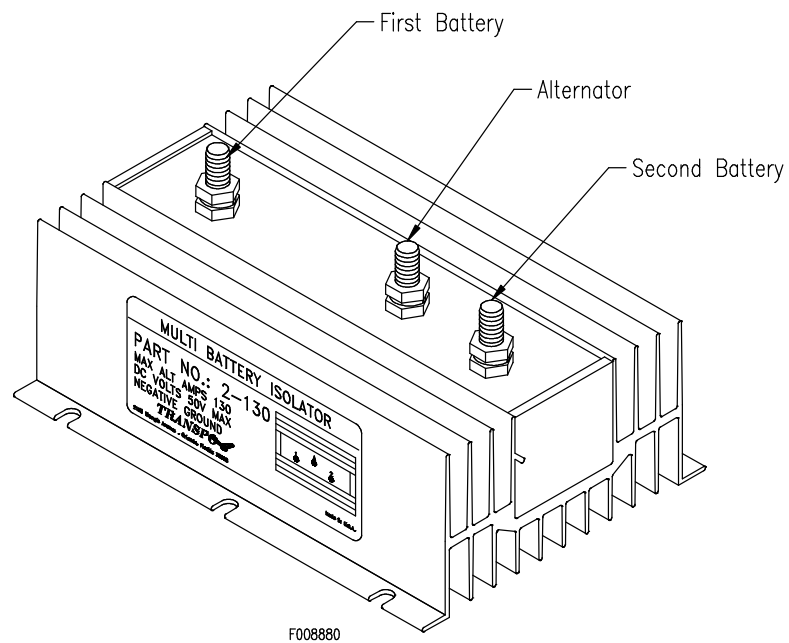


## 1.0 MECHANICAL CHARACTERISTICS



All dimensions are nominal and in mm.

## 2.0 Pinouts



## 3.0

### MAXIMUM POWER RATINGS

ITEM	CHARACTERISTICS	SYMBOLS	MAX.	UNITS
2.1	Output Current	$I_O$	130	A
2.2	Diode Voltage Drop (@ 100 A, 25°C)	$V_{FWD}$	1.2	V
2.3	D.C. Blocking Voltage	$V_R$	200	V
2.4	Working Voltage	$V_{RWM}$	50	V